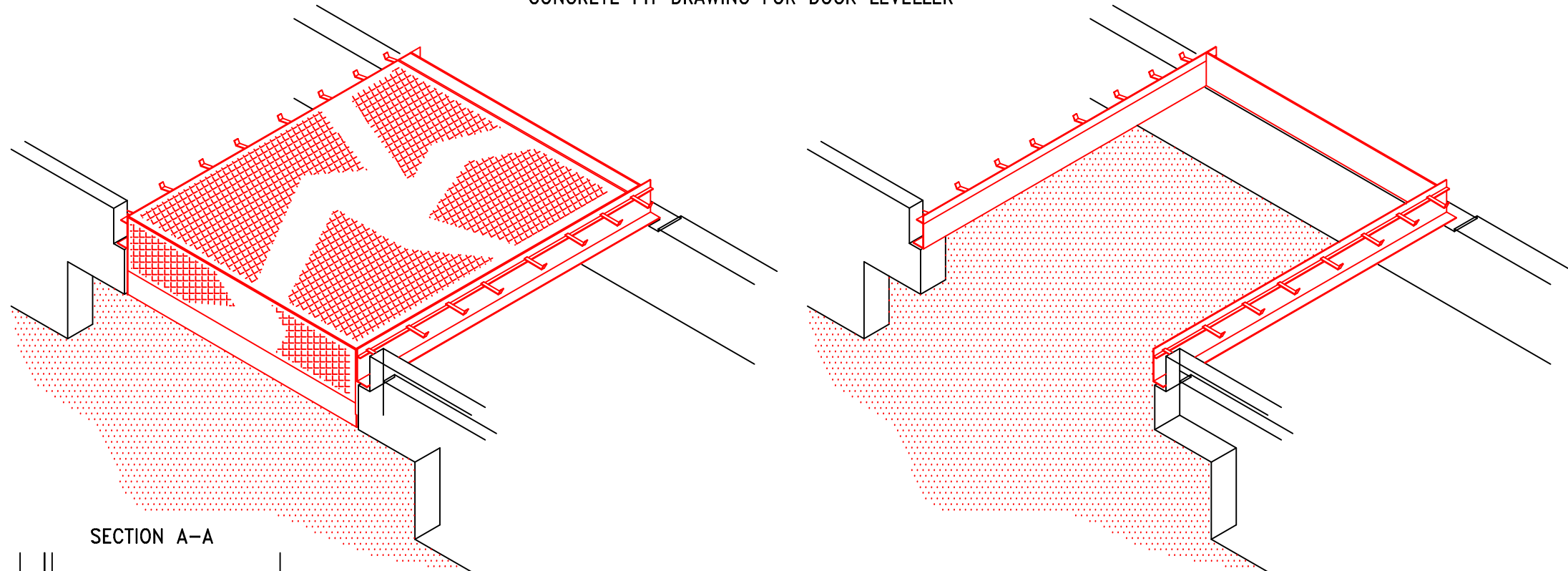
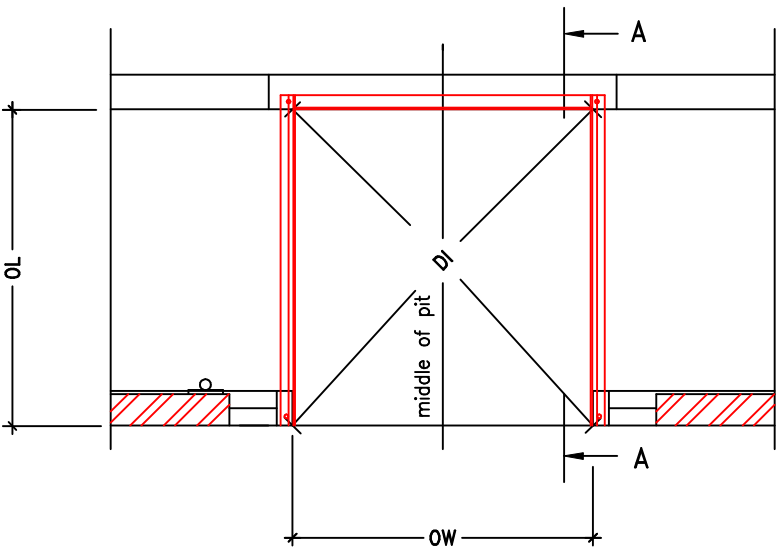
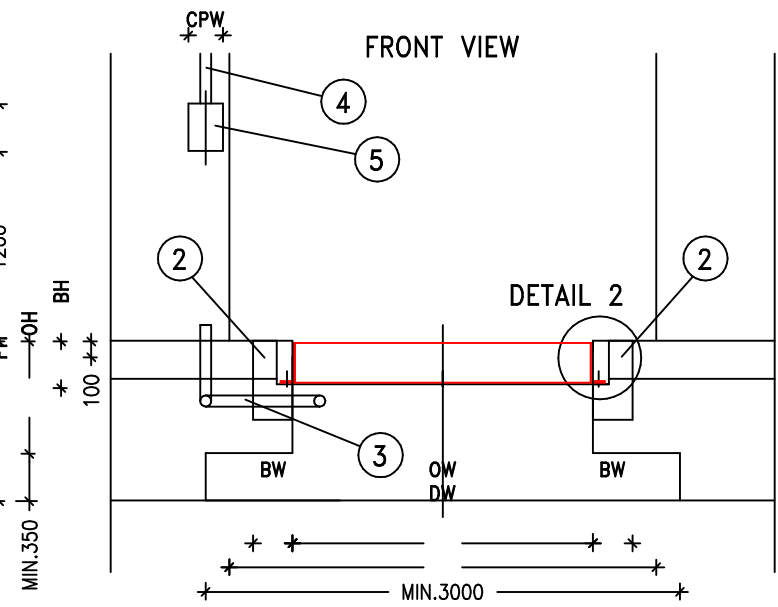


CONCRETE PIT DRAWING FOR DOCK LEVELLER

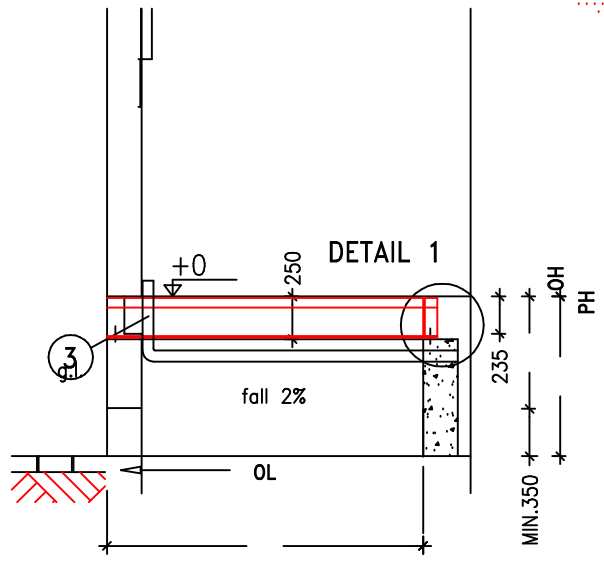
PLAN VIEW



FRONT VIEW

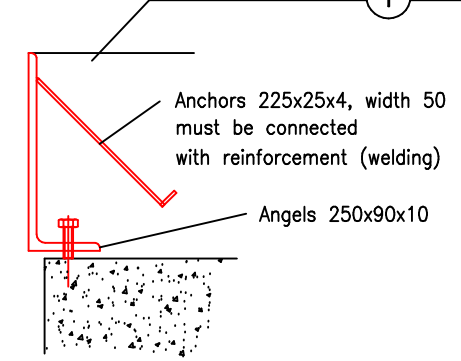


SECTION A-A



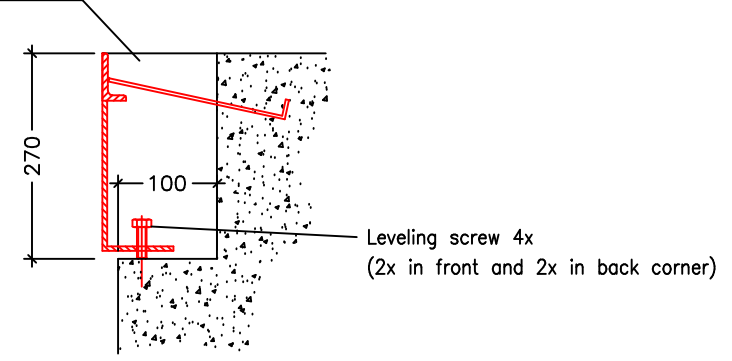
After mounting dock leveller

DETAIL 1 (REAR SIDE)



scale: 1:10

DETAIL2 (SIDE)



scale: 1:10

WORK TO BE CARRIED OUT BY CUSTOMER.
UNLESS IN ADVANCE OTHERWISE IS AGREED IN WRITING.

Constructional :

- The pit including all markings.
 - ① Reinforcing steel 14mm dia x 300mm long, suitable for welding.
 - ② After installation floor to be made good recess to be filled with epoxy resin mortar.
 - ③ Provide suitable mounting surface for bumpers, dimensions BWxBH.
- Electrical supply required to be :** (for electro-hydraulic operated dock levellers)
- Cable protection between floor level and control panel.
 - ④ 75mm dia duct into pit for electrical connections between dock leveller and control panel.
 - ⑤ 400v 3 phase neutral and earth terminating in isolator fixed in position shown.
 - ⑥ Provide suitable mounting surface for control panel, dimensions CPWxCPH.

- NOTE:**
- Pit must be square and true.
 - Please be advised by our sales department regarding the tail lift opening.
 - Drawing showing the pit forces are available on request.

YOUR DIMENSIONS :		OL	OW	OH	DI	PH	DW	BW	BH	CPW	CPH
ITEM:	TYPE :										
ITEM:	TYPE :										
ITEM:	TYPE :										
PH = PLATFORM HEIGHT		BW = BUMPER WIDTH		CPW= CONTROL PANEL WIDTH							
DW = DOOR WIDTH		BH = BUMPER HEIGHT		CPH = CONTROL PANEL HEIGHT							

UNITS IN mm	TYPE	009	010	011	012	013	014	015	016	017	019
OL = OVERALL LENGTH		2020	2520	3020	3520	2020	2520	3020	3520	4020	4020
OW = OVERALL WIDTH		2070	2070	2070	2070	2320	2320	2320	2320	2070	2320
OH = OVERALL HEIGHT		610	610	610	610	610	610	610	610	610	610
DI = DIAGONAL		2878	3246	3645	4066	3076	3411	3792	4199	4504	4624



Customer :	Quotation No :	PIT DRAWING FOR DOCK LEVELLER 232M100 100kN		
Project :	No :			
Architect :	Date of issue :			
Your Ref. No :				
Scale: 1:50; 1:10	Tolerance: -0/+10	Doc. No:	Rev.: 24-03-2011	No: 380.000IA-232M100