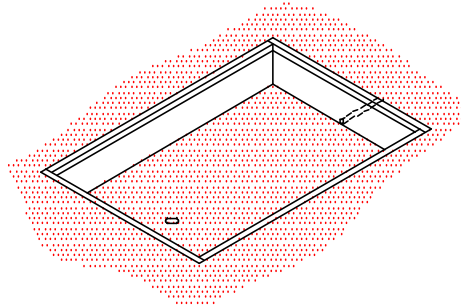
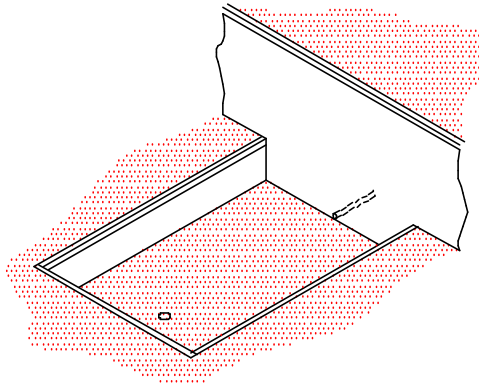


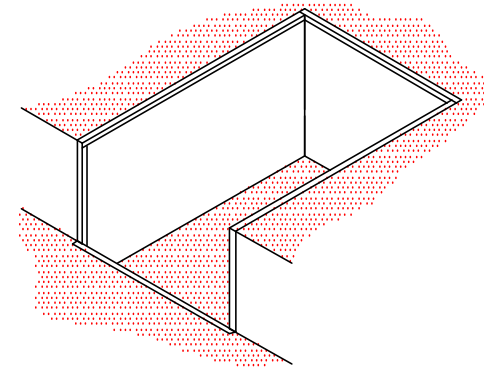
SCISSOR LIFT
WITHOUT LIP



743.010
WITHIN FLOOR

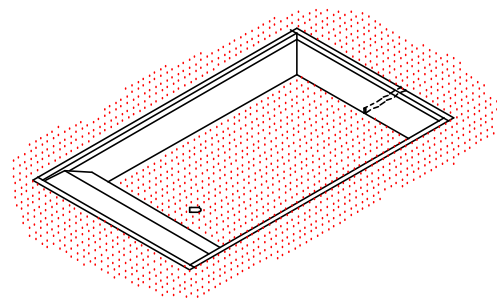


743.020
IN FRONT OF PLATFORM

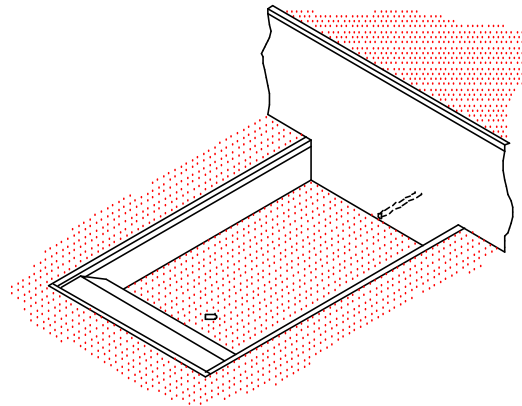


743.030
WITHIN PLATFORM

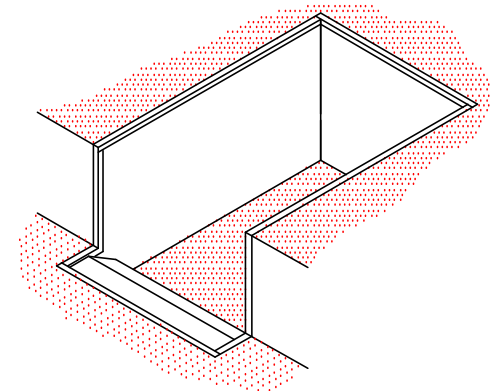
SCISSOR LIFT WITH
HORIZONTAL LIP



742.010
WITHIN FLOOR



742.020
IN FRONT OF PLATFORM



742.030
WITHIN PLATFORM

← **LOADING SYSTEMS** →

Customer :	Quotation No :	SUMMARY OF PIT TYPES
Project :	No :	
Architect :	Date of issue :	
Your Ref. No :		
Scale:	Tolerance:	Doc. No: 04\E\0200\70DD00.DWG
		Rev.: 19-08-2002
		No: 700,000